

ISAF M.TG srl Via B. Parodi, 286/A 16010 Ceranesi - Genoa Italy  
 Tel. 010781793 - 0107848136 Fax 0107268816 e-mail: info@isafmtg.com

Type	VER	Datasheet	25.5.10.6
Rev.	0	Date	02/03/2003
		Page	1/1

### CONFIGURATION

Horizontal cylindrical vessel with saddles for floor installation, complete with connections for plant and with the accessories requested by the classification society.

### APPLICATION

Compensating the water volume reduction inside the plant when temperature decreases and keeping plant pressurization within the set limits.

### DESIGN CONDITIONS

Max. Pressure 6 bar  
 Max. Temperature 90 °C  
 Min. Temperature 0 °C

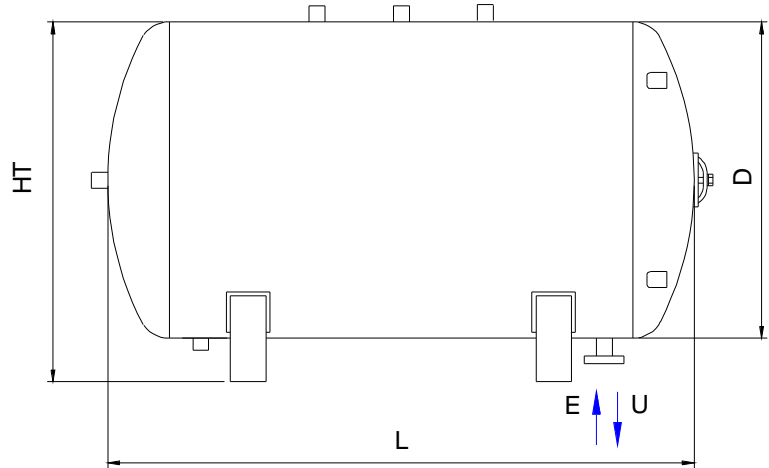
### SPECIAL PLANTS

Particular constructions are realized on customer's specification.

### ACCESSORIES AND COMPONENTS

ISAF systems can be supplied complete with monitoring equipments, valves, switchboards and other accessories which assure their proper functioning.

For an easier installation a wide range of components can be supplied.



### TESTS

RINA - ABS - LR - BV - GL - DNV - MMI

### MATERIALS

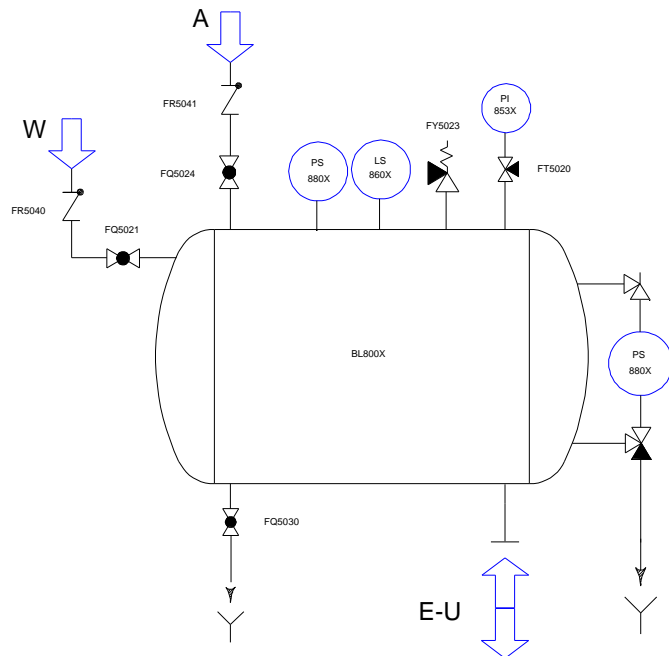
A1 STEEL P 265 GH  
 A2 STEEL P 355 NH  
 A3 ASTM A 106 B  
 X AISI 304 L  
 XX AISI 316 L

### CONNECTIONS

Threaded BSP - NPT  
 Flanged UNI - DIN - ASME - JIS

### TREATMENTS

Treatment of internal and external surfaces according to the application of the plant.



All information and data shown on this datasheet can be modified without notice

Standard flanges: UNI2278/67 NP16

Model	Capacity Lt.	Max.Design Pressure bar	D	HT	L	H	E - U	Weight Kg.
VER400H	400	6	600		1570	800	ND40	240
VER500H	500	6	600		1920	800	ND40	265
VER600H	600	6	800		1350	1000	ND50	270
VER750H	750	6	800		1650	1000	ND50	360
VER1000H	1000	6	800		2150	1050	ND80	400
VER1500H	1500	6	950		2300	1200	ND80	475
VER2000H	2000	6	1100		2300	1350	ND80	650
VER3000H	3000	6	1300		2460	1550	ND100	965
VER5000H	5000	6	1600		2750	1850	ND100	1270