

ISAF M.TG srl Via B. Parodi, 286/A 16010 Ceranesi - Genoa Italy
 Tel. 010781793 - 0107848136 Fax 0107268816 e-mail: info@isafmtg.com

Type	REI	Datasheet	21.5.30.6
Rev.	0	Date	02/03/2003
		Page	1/1

CONFIGURATION

Horizontal cylindrical vessel on saddles for floor installation, complete with thermal insulation, switchboard electrical heaters and with the accessories requested by the classification society.

APPLICATION

Instantaneous production of hot water for heating, conditioning and fresh water plants.

DESIGN CONDITIONS

Max. Pressure 6 bar
 Max. Temperature 90 °C
 Min. Temperature 0 °C

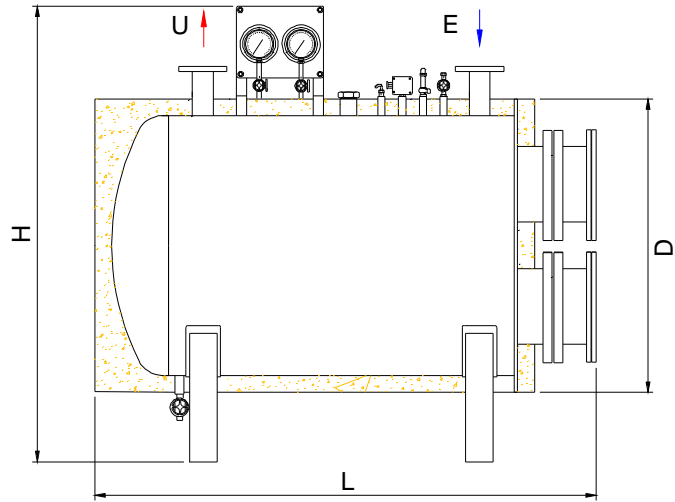
SPECIAL PLANTS

Particular constructions are realized on customer's specification.

ACCESSORIES AND COMPONENTS

ISAF systems can be supplied complete with monitoring equipments, valves, switchboards and other accessories which assure their proper functioning.

For an easier installation a wide range of components can be supplied.



TESTS

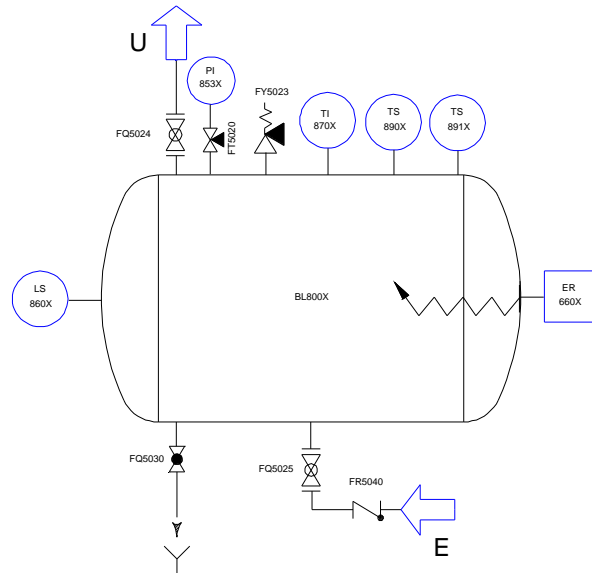
RINA - ABS - LR - BV - GL - DNV - MMI

MATERIALS

X AISI 304 L
 XX AISI 316 L

CONNECTIONS

Threaded BSP - NPT
 Flanged UNI - DIN - ASME - JIS



All information and data shown on this datasheet can be modified without notice

Standard flanges: UNI2278/67 NP16

Model	Capacity Lt.	Max.Design Pressure bar	Power kW	E/Heaters No./kW	D	L	H	E - U	Weight Kg.
REI3060	300	6	60	3x20	750	1450	1240	ND40	310
REI3090	300	6	90	3x30	750	1450	1240	ND50	350
REI3512	350	6	120	4x30	850	1450	1400	ND50	450
REI3516	350	6	160	4x40	850	1450	1400	ND80	490